

Model

CIPR-15Z



FEATURES

- | | |
|---|---|
| <ul style="list-style-type: none"> • Prototype & Production Tested Design • Wide range of options and accessories available • Simple access for maintenance and operations • Weatherproof enclosure with 110% fluid containment • Safety guards for all electrical connections and moving parts • Lockable latches standard with key or external lock • Engineered vibration dampening system • Single point lifting bail system, engineered and rated • Rugged base frame and enclosure for mobile applications • Internal silencer and catalytic converters • All parts powder coated or galvanized • Murphy low oil protection standard on all models • Power distribution system is customizable Eco Glands • Optional long run oil tank options • Display of all critical genset measures | <p>Alternator</p> <ul style="list-style-type: none"> • Clean power with the Mecc Alte NPE-32-D/4 • Regulator provides 0.5% voltage regulation • High efficiency alternator <p>Engine</p> <ul style="list-style-type: none"> • Heavy duty Hyundai 1.6L engine • E Controls Fuel System • Environment Canada / US EPA emissions compliance • Integral mechanical fan system optional electrical cooling system • Complete with engine fluids, ready for operation <p>Controls</p> <ul style="list-style-type: none"> • Standard controls: DEIF SGC 120 • Emergency stop externally accessible • Remote cellular or satellite telematic ready • Fully programmable controller for application integration |
|---|---|

UNIT SPECIFICATIONS

60 HZ

(Reference Power conditions are ISO 8528, barometric pressure 100 kPa, temperature 25°C, humidity 30%.)

Compliance / Approvals	ETL			
	Natural Gas		Propane	
	Power	Amps @ 0.8 PF	Power	Amps @ 0.8 PF
Standby Power	18 kVA	49 @ 208, 3Ø 73 @ 240, 1Ø	19 kVA	52 @ 208, 3Ø 78 @ 240, 1Ø
	14 kW		15 kW	
Prime Power	15 kVA	42 @ 208, 3Ø 63 @ 240, 1Ø	18 kVA	49 @ 208, 3Ø 73 @ 240, 1Ø
	12 kW		14 kW	
Weight	1425 lbs	647.7 kgs		
Frequency	60 Hertz			
Phase	1 Phase			
Power Factor	0.8 Cosφ			

Power Distribution (Standard)

2 x 20 Amp GFCI, 1 x 120/250v 30 Amp, 2 x 120/250v 50 Amp

Model Variations Available

- Gas control systems and pressure sensors
- Gas pretreatment including liquid and pressure protections
- Voltages: 120/208, 120/240, 220/380, 277/480, 400, 347/600
- Switchable Frequency 50 and 60 HZ capable
- Deep Sump Oil Pan Systems: Extended Oil Change Intervals
- Synchronizing/paralleling control and electrical system
- Cellular or satellite telematic system integration
- LPG liquid vaporizer kit
- Combined heat and power configurations for processes that can benefit from heat recovery
- Custom electrical distribution and distribution packages, integrated cam lock or receptacle panels, transformer panels for multiple voltages
- Electric cooling system
- Electric or Gas fired block heater
- Customer specification electrical distribution package
- Switchable Voltage System (120/240 - 120/208 - 277/480 - 347/600)

Power Rating

Prime Rating

They are designed for supplying continuous power at variable loads in place of commercially purchased power. This rating is the maximum power available at variable loads with no limit on the number of annual hours. This rating allows for a 10% overload for a limited number of hours, typically 1 hour every 12 hours.

Standby Rating

These ratings are applicable for supplying continuous electrical power (at variable load) in the event of a utility power failure. No overload is permitted on these ratings. The alternator on this model is peak continuous tested (as defined in ISO 8528-3).

Site Derating

Local conditions may require the derating of the generator output. Use these guidelines for derating as need: 3% for each 300m/1000 ft above sea level, 1.5% per 5°C over 25%, and 1.5% per 10% relative humidity above 30%. Actual derating varies slightly by engine model. Derating may also be required pending the fuel quality available on your specific location. Contact us with a copy of your gas analysis and site conditions for review.

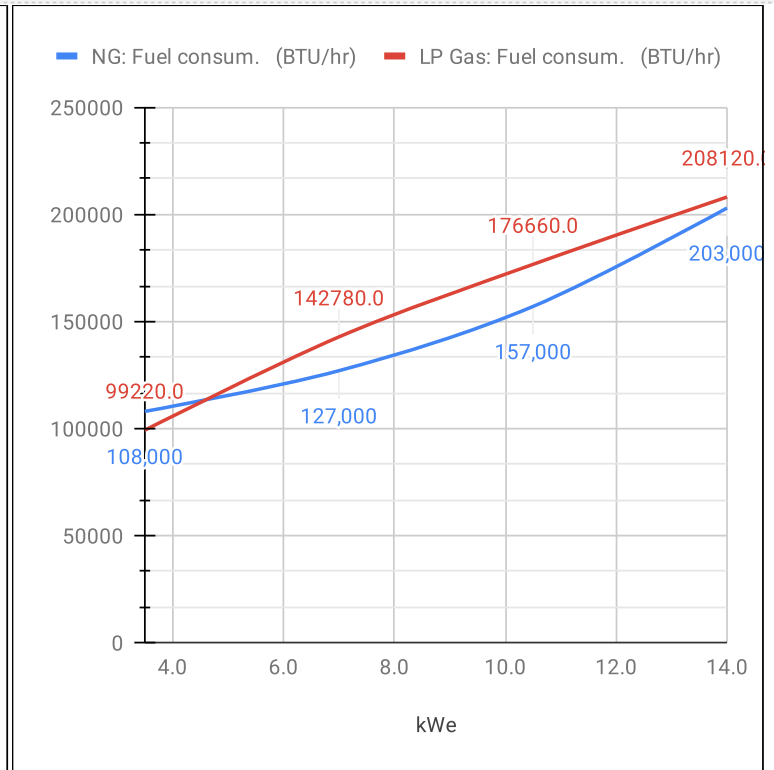
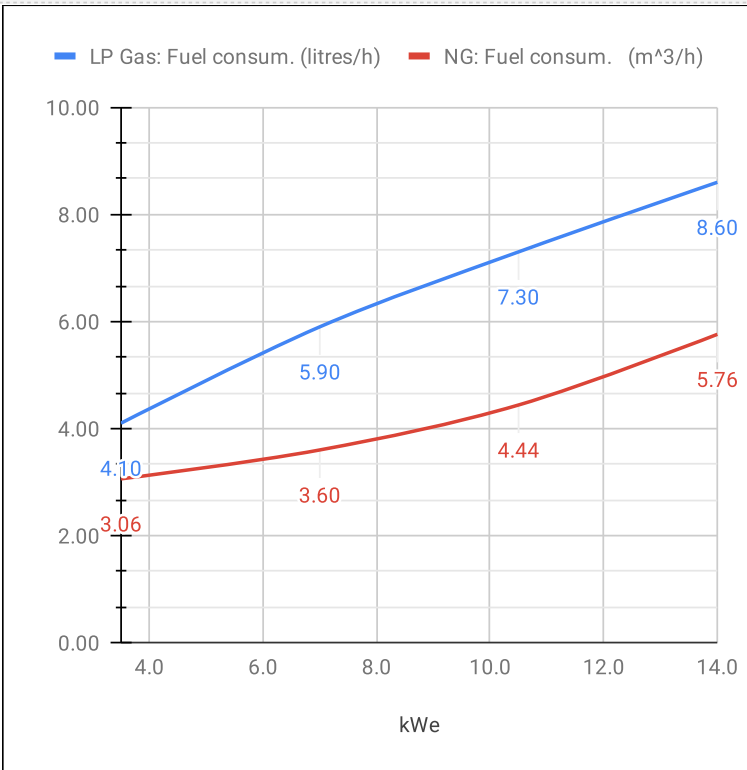
Engine

Manufacturer	Hyundai
Model	1.6L
Stroke	4
Fuel	Natural Gas or Vapour Propane
Emissions Compliance	Environment Canada / US EPA
Number and disposition of cylinders	I4, Inline
Total Displacement	1600 cc
Air Intake	Naturally Aspirated
Starting System	Electric - 12V
Speed / Speed Governor	1800 RPM
Lube Oil Capacity	3.7L / 3.9 qts
Oil Type (See chart based on ambient operating temps in manual)	API SJ or better; SAE 10W-30; 5W30 in extreme cold
Engine Cooling Fan System	Electric, Variable Speed
Coolant Capacity	8L / 8.45 qts

Fuel Guidelines

Propane HD5; $\geq 90\%$ PROPANE (C3H8), $\leq 5\%$ (C3H6), $\leq 5\%$ OTHER
 Utility Natural Gas ≥ 75 MN, $\geq 70\%$ (CH4), 950-1100 BTU/SCF (HHV)
 Well Head Gas: ≥ 75 MN, $\geq 70\%$ (CH4), 700-2362 BTU/SCF (LHV)

Fuel Consumption



ALTERNATOR

Make / Model	Mecc Alte NPE-32-D/4
Regulator	AVR
Compliance	CSA C22.2-100, NEMA MG1-32, IEC 34
Poles	4
Speed	1800 RPM
Frequency	60 HZ
Voltage Regulation	1.50%
Continuous 125/40 ° C Rating	16.5 kVa
Standby 150/40 ° C Rating	18 kVa
Power Factor	0.8
Generator End Efficiency @ 100% Load	87.90%
Harmonic Distortion	<5%
Alternator IP Protection / Insulation	IP23 / Class H

APPLICATION DATA

GENSET CONTROL PANEL

Model	DEIF SGC 120
Function	Auto Control Module
Country of Origin	Denmark
<ul style="list-style-type: none"> • 4-Line back-lit LCD text display • Front panel editing with PIN protection • Modules can be integrated to building management systems • IP65 rating • PLC editor allows user configurable functions • Configurable event log (250) • 3 configurable maintenance alarms 	

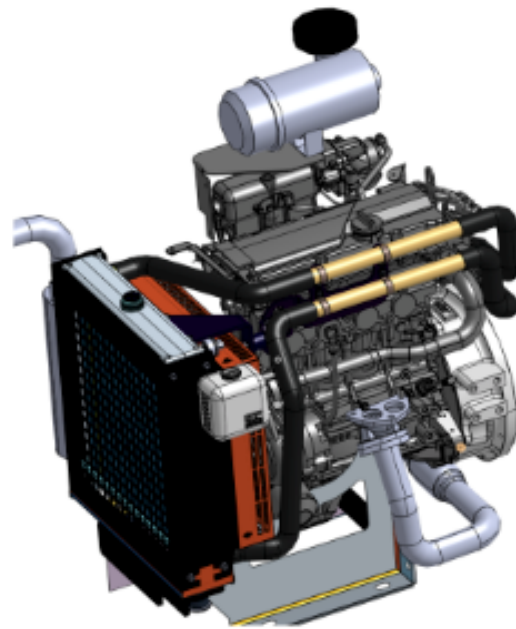


PROTECTIONS

<ul style="list-style-type: none"> • kW protection • Low Oil Pressure • High Engine Temperature • Start Fail • Low Coolant Level • +/- Batt Volts • Over/Under Speed • Tamper Proof Hour Meter 	<ul style="list-style-type: none"> • Power: High/Low Voltage, Current • Over/Under Speed • Tamper Proof Hour Meter • Earth Fault • Battery Charging Voltage • Mains Monitoring • Low oil level (with optional monitoring system) • Phase imbalance • ECU diagnostics
--	---

ENGINE:

- Cast iron block, one piece forged crankshaft
- Pusher type fan with radiator
- Forged connecting rods
- Proven ECM control system
- Long term proven design and longevity
- Global support network
- J1939 Standard Controls and Communication
- Separate cast iron cylinder heads and replaceable dry cylinder liners
- Max gas inlet temperature 35C/95F
- High thermal efficiency
- Designed and capable of long term 24/7 operation
- Standard parts and maintenance kits for lifetime ops
- Premium fuel system for accurate speed control
- 750 Hour Maintenance Interval (See engine spec for exact specification for maintenance interval)



Additional Services Available

- Installation
- Start Up / Commissioning
- Product Training
- On going product support
- Field Maintenance
- Remote monitoring to command centre

Additional Options Available

- Enclosure custom paint colours
- PMG generator (most models)
- 3 Phase sensing AVR
- Alternator winding coatings
- Key Switch options over digital (not available on most models)

DIMENSIONS

