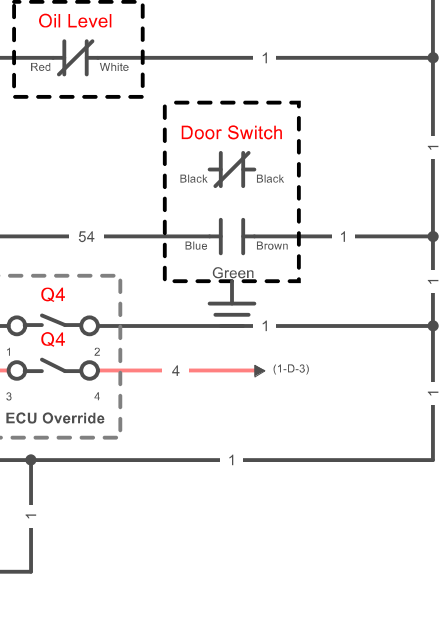


PLC1

DEIF
AGC 150
(1 / 1)

- 1 DC(+)
- 2 DC(-)
- 3 Not Used
- 4 Emerg Stop
- 5 Run Coil
- 6 Crank
- 7 D+
- 8 Dout Supply (+)
- 9 Out
- 10 Out
- 11 Out
- 12 Out
- 13 Out
- 14 Out
- 15 MB On
- 16 MB Off
- 17 GB/TB on
- 18 GB/TB off
- 19 GND
- 20 A IN
- 21 A IN
- 22 A IN
- 23 A IN
- 24 Pos. Tacho
- 25 SCR
- 26 Neg
- 27 Can A+ ECU
- 28 Can GND ECU
- 29 Can A- ECU
- 30 Can B+ PMS
- 31 Can GND PMS
- 32 Can B- PMS
- 33 Data + (A) RS-485
- 34 Data (GND) RS-485
- 35 Data - (B) RS-485
- 36 Data +(A) RS-485
- 37 Data (GND) RS-485
- 38 Data -(B) RS-485
- 39 Remote Start
- 40 D IN
- 41 D IN
- 42 D IN
- 43 D IN
- 44 D IN
- 45 D IN
- 46 D IN
- 47 MB ON
- 48 MB OFF
- 49 GB/TB on
- 50 GB/TB off
- 51 Gov (-)
- 52 Gov (+)
- 53 Not used
- 54 AVR (-)
- 55 AVR (+)
- 56 L1 CT
- 57 L2 CT
- 58 L3 CT
- 59 COM CT
- 60 L4 (S1)
- 61 L4 (S2)
- 62 A N
- 63 A L1
- 64 A L2
- 65 A L3
- 66 B N
- 67 B L1
- 68 B L2
- 69 B L3

Note all TB1-33 to 38 are 1.6A Fuses



	Interior		Exterior	
RES1 - 1	96	1	96	
	80	2	80	
	40	3	40	
	90	4	90	
	2	5	2	
	4	7	2	
	29	8	2	
	15	9	2	
	25	10	2	
	5	11	2	
	14	12	8	
	9	13	9	
	55	14	55	CN1-A
PLC1 - 6	10	15	10	CN1-F
PLC1 - 7	28	16	28	
Q2 - 4	13	17	13	CN1-G
PLC1 - 40	53	18	53	Oil Level - Red
PLC1 - 41	54	19	54	Door Switch - Blue
PLC1 - 42	35	20	35	Volt Switch - C2
PLC1 - 43	36	21	36	Volt Switch - C4
PLC1 - 44	37	22	37	Volt Switch - C6
PLC1 - 45	38	23	38	Volt Switch - C8
PLC1 - 27	7	24	7	CN1-P
PLC1 - 28		25		
PLC1 - 29	6	26	6	CN1-N
	1	27	1	
	1	28	1	
	1	29	1	
	1	30	1	
	1	31	1	CN1-S
	56	32	56	
	39	33	39	
	42	34	42	
	43	35	43	
	44	36	44	
	45	37	45	
	45	38	45	
	46	39	46	
	57	40	47	
	58	41	48	
	59	42	49	
	60	43	50	
	61	44	51	
	62	45	52	

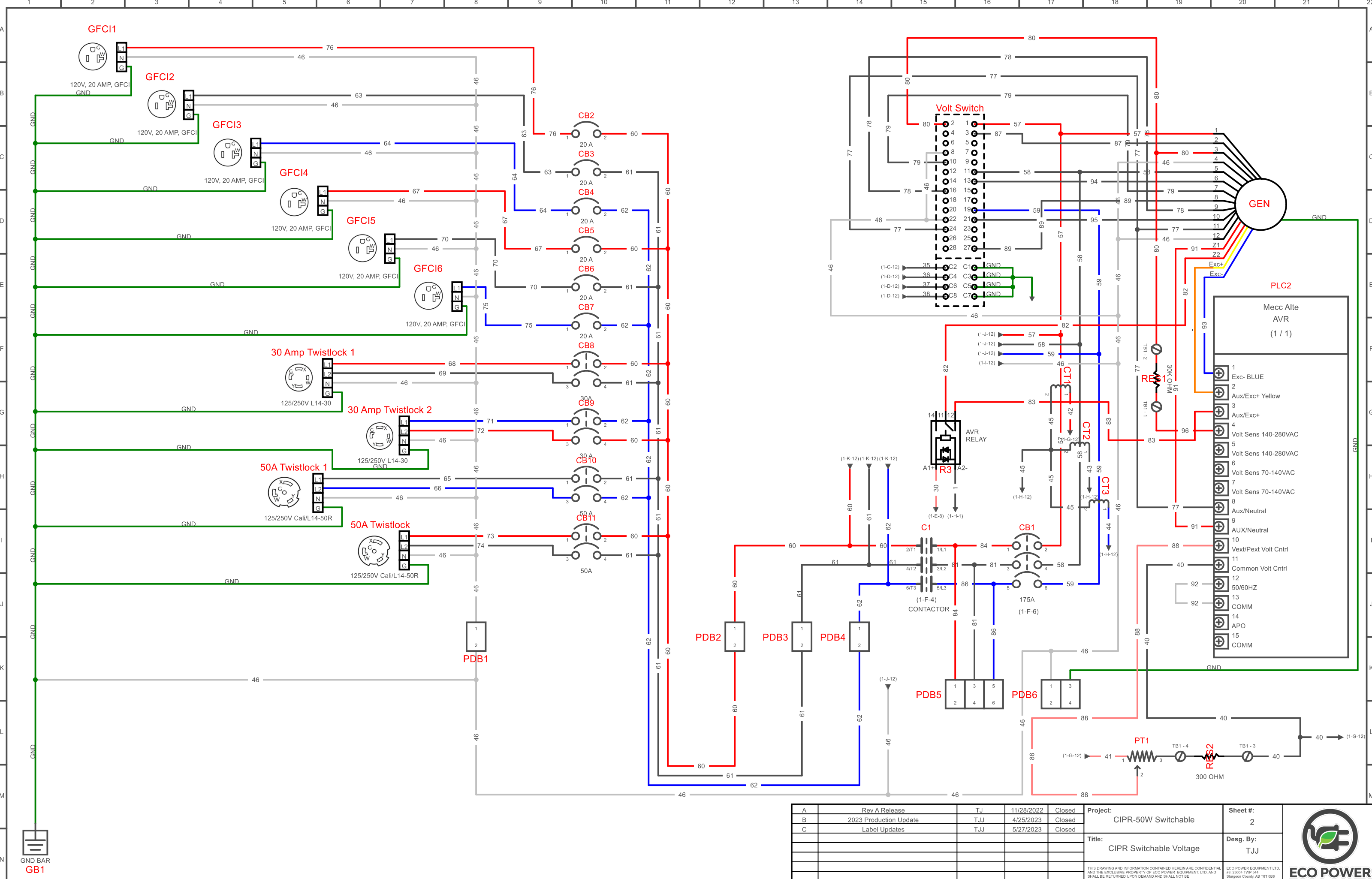
Rev.	Description	Approv. by	Date	Status
A	Rev A Release	TJ	11/28/2022	Closed
B	2023 Production Update	TJJ	4/25/2023	Closed
C	Label Updates	TJJ	5/27/2023	Closed

Project:	CIPR-50W Switchable	Sheet #:	1
Title:	CIPR Switchable Voltage	Desg. By:	TJJ



THIS DRAWING AND INFORMATION CONTAINED HEREIN ARE CONFIDENTIAL AND THE EXCLUSIVE PROPERTY OF ECO POWER EQUIPMENT LTD. AND SHALL BE RETURNED UPON DEMAND AND SHALL NOT BE REPRODUCED IN WHOLE OR PART TO ANYONE ELSE OR USED WITHOUT THE WRITTEN CONSENT OF ECO POWER EQUIPMENT LTD.

ECO POWER EQUIPMENT LTD.
#9, 2604 TWP 54S
Sturgis County, AB T8T 0B6
1-833-249-2517
engineering@ecopowerequip.com



Rev.	Description	Apprv. by	Date	Status
A	Rev A Release	TJ	11/28/2022	Closed
B	2023 Production Update	TJJ	4/25/2023	Closed
C	Label Updates	TJJ	5/27/2023	Closed

Project:	CIPR-50W Switchable	Sheet #:	2
Title:	CIPR Switchable Voltage	Desg. By:	TJJ



THIS DRAWING AND INFORMATION CONTAINED HEREIN ARE CONFIDENTIAL AND THE EXCLUSIVE PROPERTY OF ECO POWER EQUIPMENT LTD. AND SHALL BE RETURNED UPON DEMAND AND SHALL NOT BE REPRODUCED IN WHOLE OR PART TO ANYONE ELSE OR USED WITHOUT THE WRITTEN CONSENT OF ECO POWER EQUIPMENT LTD.

ECO POWER EQUIPMENT LTD.
 89, 2004 TWP 544
 Sturgeon County, AB T8T 0B6
 1-833-249-2517
 engineering@ecopowerequip.com