

**Model SBP-45-XFMR**



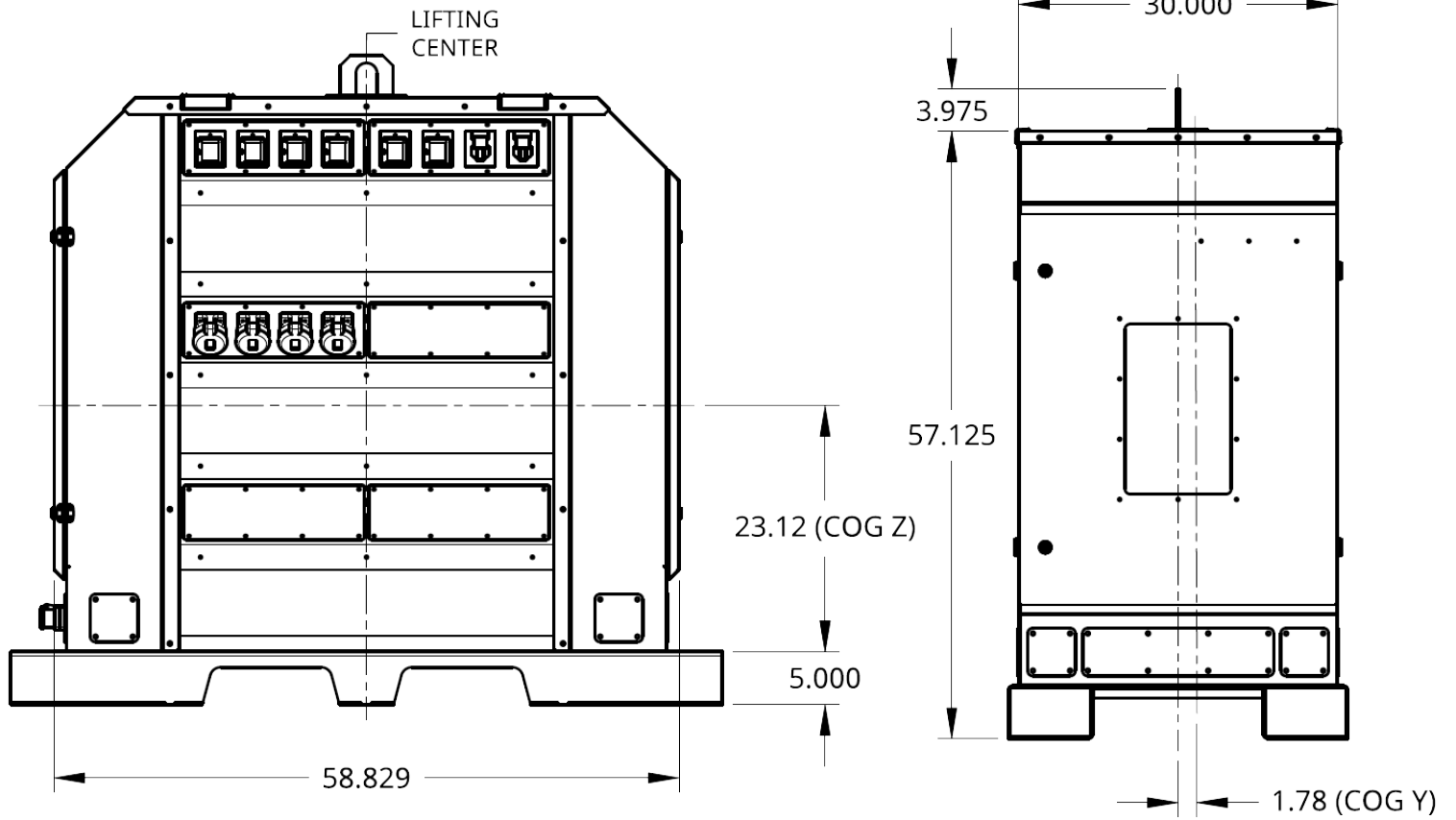
**FEATURES**

<ul style="list-style-type: none"> <li>• Prototype &amp; Production Tested Design</li> <li>• Wide range of options and accessories available</li> </ul>	<p><b>Transformer</b></p> <ul style="list-style-type: none"> <li>• 3 Phase Isolation Transformer, Aluminum, Self cooled (ANN/AN)</li> <li>• Canada - (NRCAN 2019) SOR/2018-201, Amd. 14 &amp; ON Reg. 404/12, U.S. - (DOE 2016) DOE 10 CFR Part 431</li> </ul>
<ul style="list-style-type: none"> <li>• Simple access for maintenance and operations</li> <li>• Weatherproof enclosure with NEMA 3R compliance</li> <li>• Safety guards for all electrical connections</li> <li>• Tooled latches standard</li> </ul>	<ul style="list-style-type: none"> <li>• Sound Level meets NEMA ST-20</li> <li>• CSA Certified - File # LR34493 (5kV Max, 900kVA Max)</li> <li>• UL Listed - File # E108255 (600V Max, 750kVA Max)</li> </ul>
<ul style="list-style-type: none"> <li>• All parts powder coated or galvanized or aluminum</li> <li>• Single point lifting bail system, engineered and rated</li> </ul>	<ul style="list-style-type: none"> <li>• 150°C Temperature Rise</li> <li>• 220°C Insulation Rating</li> </ul>
<ul style="list-style-type: none"> <li>• All components used are listed, UL489-rated transformer protection built into the assembly - connect to most common power systems safe and quick.</li> <li>• Power distribution system is customizable with Eco Power Equipment gland system.</li> </ul>	<ul style="list-style-type: none"> <li>• Switchable voltage design 480/600 primary switch reduces labour and easily allows connection between 480V generators and 600V utilities without having to change your power distribution.</li> <li>• Rugged base frame and enclosure for mobile applications, ready for standard width pallet jack to allow quick placement</li> </ul>

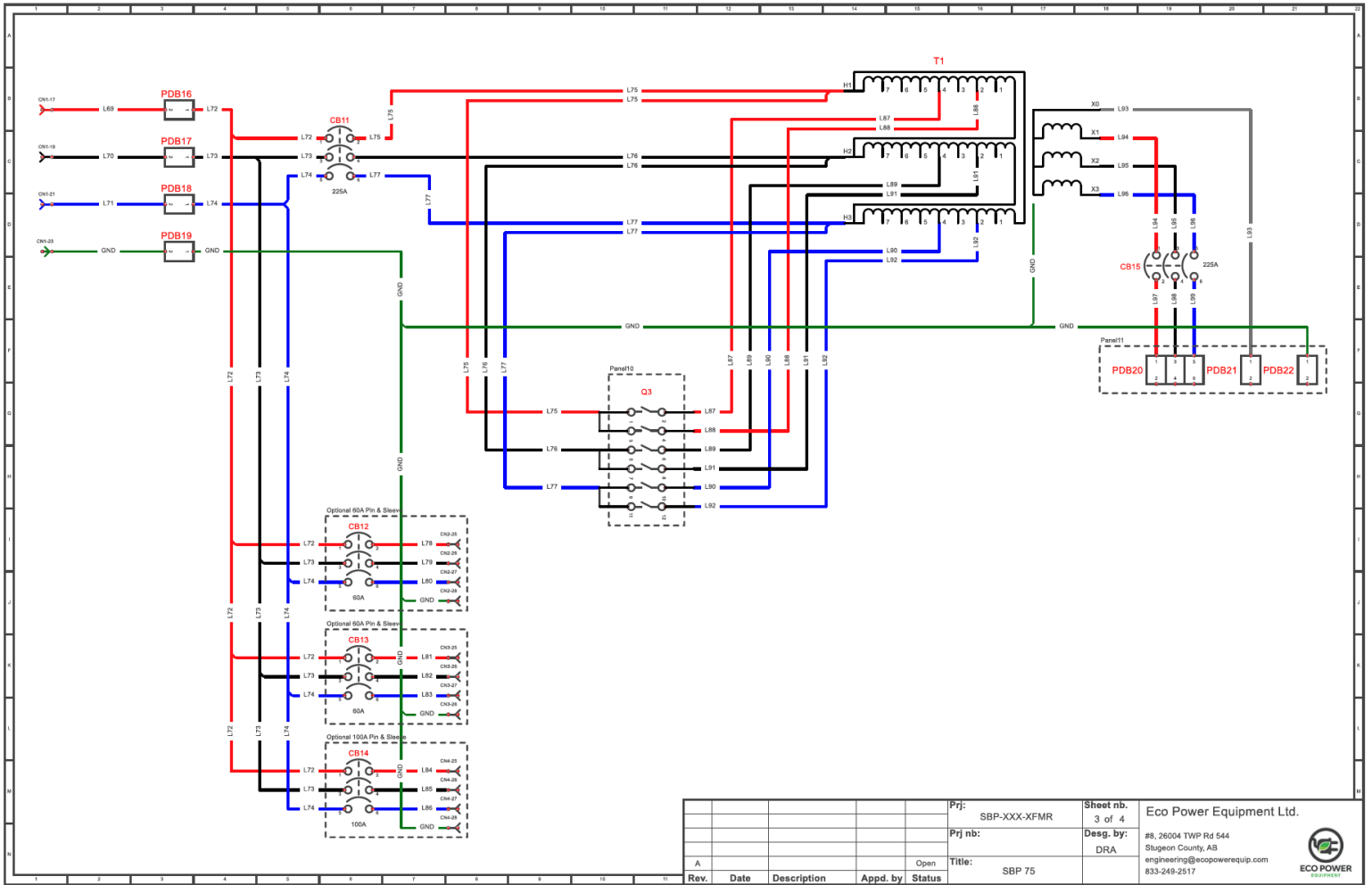
## UNIT SPECIFICATIONS

kVa Rating	45
Primary Voltage	600/480 DELTA
Secondary Voltage	120/208 Y
Full Load Primary Amps @ 600V Three Phase	43.3
Full Load Primary Amps @ 480V Three Phase	54.1
Full Load Secondary Amps @ 208V Three Phase	124.9
Impedance	3.5% - 5.5%
Efficiency (35% load, 75 OC)	98.40%
AverageSoundLevel[dB]	45
Primary Taps Available	480V, 570V, 600V, 630V
Enclosure Type	Type 3R Outdoor
Primary Side Distribution Type	400A Cam Lock or Hard Wire
Primary Side Splitter	Yes
Primary Side Distribution Plugs	60 or 100 Amp Pin and Sleeve (pending configuration)
Secondary Side Power Distribution Type	225 Amp Panelboard, Square D
Secondary Side Circuit Max Capacity	30
Secondary Side Breaker Type	QOB
Secondary Side Circuit Max Capacity	30
Primary Protection	125 Amp MCCB, 0.8 Adjustable, UL 489
Secondary Protection	150 Amp MCCB, 0.8 Adjustable, UL 489
Eco Power Gland Capacity	6
Length [INCHES]	32
Width [INCHES]	67
Height [INCHES]	64
Weight [LBS]	1187 lbs
Compliance / Approvals	SPE-1000, UL1640 Compliant Design, CSA standards 22.2 No. 5, UL 489, IEC/EN 60947-2, CE Compliant

# DIMENSIONS



# BASE WIRING DIAGRAM



Prj:	SBP-XXX-XFMR	Sheet no.:	3 of 4	Eco Power Equipment Ltd.
Prj nb:		Desg. by:	DRA	#8, 26004 TWP Rd 644 Sturgeon County, AB engineering@ecopowerequip.com 833-249-2517
Rev.	Date	Description	Appd. by	Status
A				Open
				Title: SBP 75

©2023 Eco Power Equipment Ltd. All rights reserved. All specifications are subject to change without notice