

**Model**

**SBP-45-XFMR**



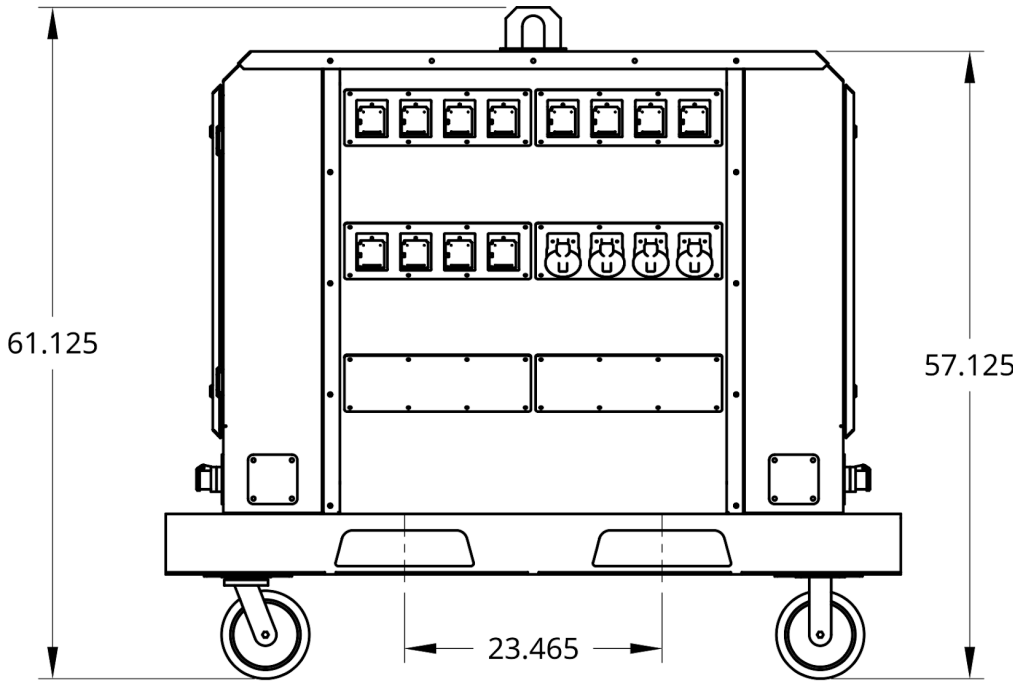
## FEATURES

<ul style="list-style-type: none"> <li>• Prototype &amp; Production Tested Design</li> <li>• Wide range of options and accessories available</li> </ul>	<p><b>Transformer</b></p> <ul style="list-style-type: none"> <li>• 3 Phase Isolation Transformer, Aluminum, Self cooled (ANN/AN)</li> <li>• Canada - (NRCAN 2019) SOR/2018-201, Amd. 14 &amp; ON Reg. 404/12, U.S. - (DOE 2016) DOE 10 CFR Part 431)</li> </ul>
<ul style="list-style-type: none"> <li>• Simple access for maintenance and operations</li> <li>• Weatherproof enclosure with NEMA 3R compliance</li> <li>• Safety guards for all electrical connections</li> <li>• Toolless lockable latches standard</li> <li>• All parts powder coated or galvanized or aluminum</li> <li>• Single point lifting bail system, engineered and rated</li> </ul>	<ul style="list-style-type: none"> <li>• Sound Level meets NEMA ST-20</li> <li>• CSA Certified - File # LR34493 (5kV Max, 900kVA Max)</li> <li>• UL Listed - File # E108255 (600V Max, 750kVA Max)</li> <li>• 150°C Temperature Rise</li> <li>• 220°C Insulation Rating</li> </ul>
<ul style="list-style-type: none"> <li>• All components used are listed, UL489-rated transformer protection built into the assembly - connect to most common power systems safe and quick.</li> <li>• Power distribution system is customizable with Eco Power Equipment gland system.</li> </ul>	<ul style="list-style-type: none"> <li>• Switchable voltage design 480/600 primary switch reduces labour and easily allows connection between 480V generators and 600V utilities without having to change your power distribution - lockable selector switch</li> </ul>

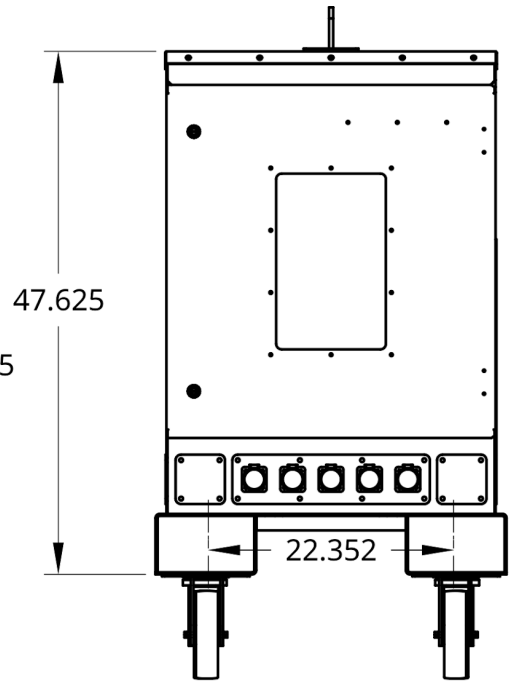
## UNIT SPECIFICATIONS

kVa Rating	45
Primary Voltage	600/480 DELTA
Secondary Voltage	120/208 Y
Full Load Primary Amps @ 600V Three Phase	43.3
Full Load Primary Amps @ 480V Three Phase	54.1
Full Load Secondary Amps @ 208V Three Phase	124.9
Efficiency (35% load, 75 OC)	98.40%
Impedance	3.5% - 5.5%
AverageSoundLevel[dB]	45
Primary Taps Available	480V, 570V, 600V, 630V
Enclosure Type	Type 3R Outdoor
Power Inlet	400A Cam Lock or Hard Wire
Primary Side Splitter	Yes
Secondary Side Distribution Plugs	
Secondary Side Panelboard Type	225 Amp Panelboard, Square D
Secondary Side Circuit Max Capacity	30
Primary Protection	125 Amp MCCB, 0.8 Adjustable, UL 489
Secondary Protection	150 Amp MCCB, 0.8 Adjustable, UL 489
Eco Power Gland Capacity	6
Length [INCHES]	32
Width [INCHES]	28
Height [INCHES]	64
Weight [LBS]	1187 lbs
Compliance / Approvals	SPE-1000, UL1640 Compliant Design, CSA standards 22.2 No. 5, UL 489, IEC/EN 60947-2, CE Compliant

# DIMENSIONS

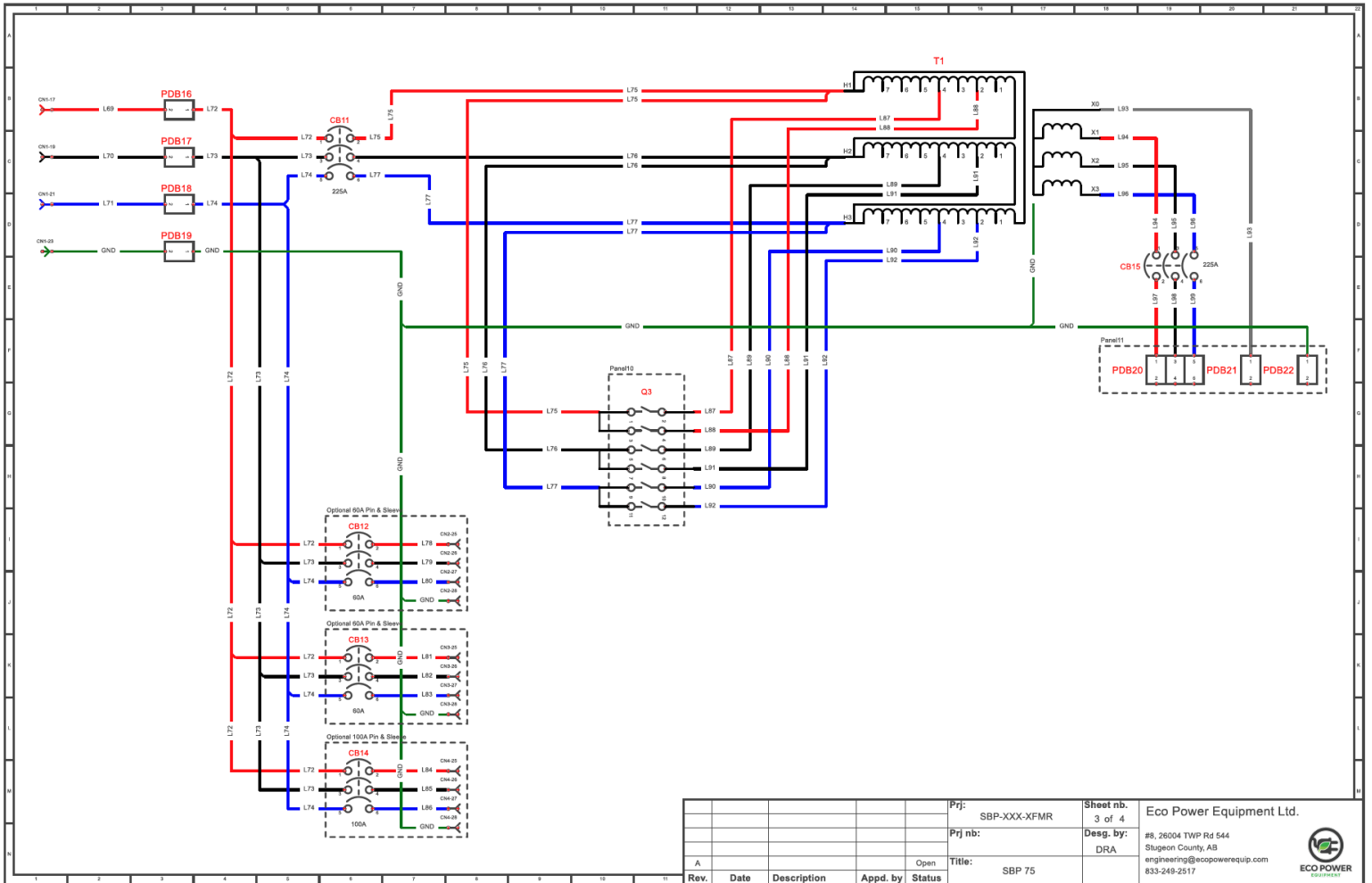


SCALE 1:16



SCALE 1:16

# BASE WIRING DIAGRAM



Prj:	SBP-XXX-XFMR	Sheet nb:	3 of 4	Eco Power Equipment Ltd.
Prj nb:		Desg. by:	DRA	#8, 26004 TWP Rd 544 Sturgeon County, AB engineering@ecopowerequip.com 833-249-2517
Rev.	Date	Description	Appd. by	Status
A				Open
Title:		SBP 75		

©2023 Eco Power Equipment Ltd. All rights reserved. All specifications are subject to change without notice. See model specific as built drawing by scanning QR code on unit.