

Model SBP-75-XFMR



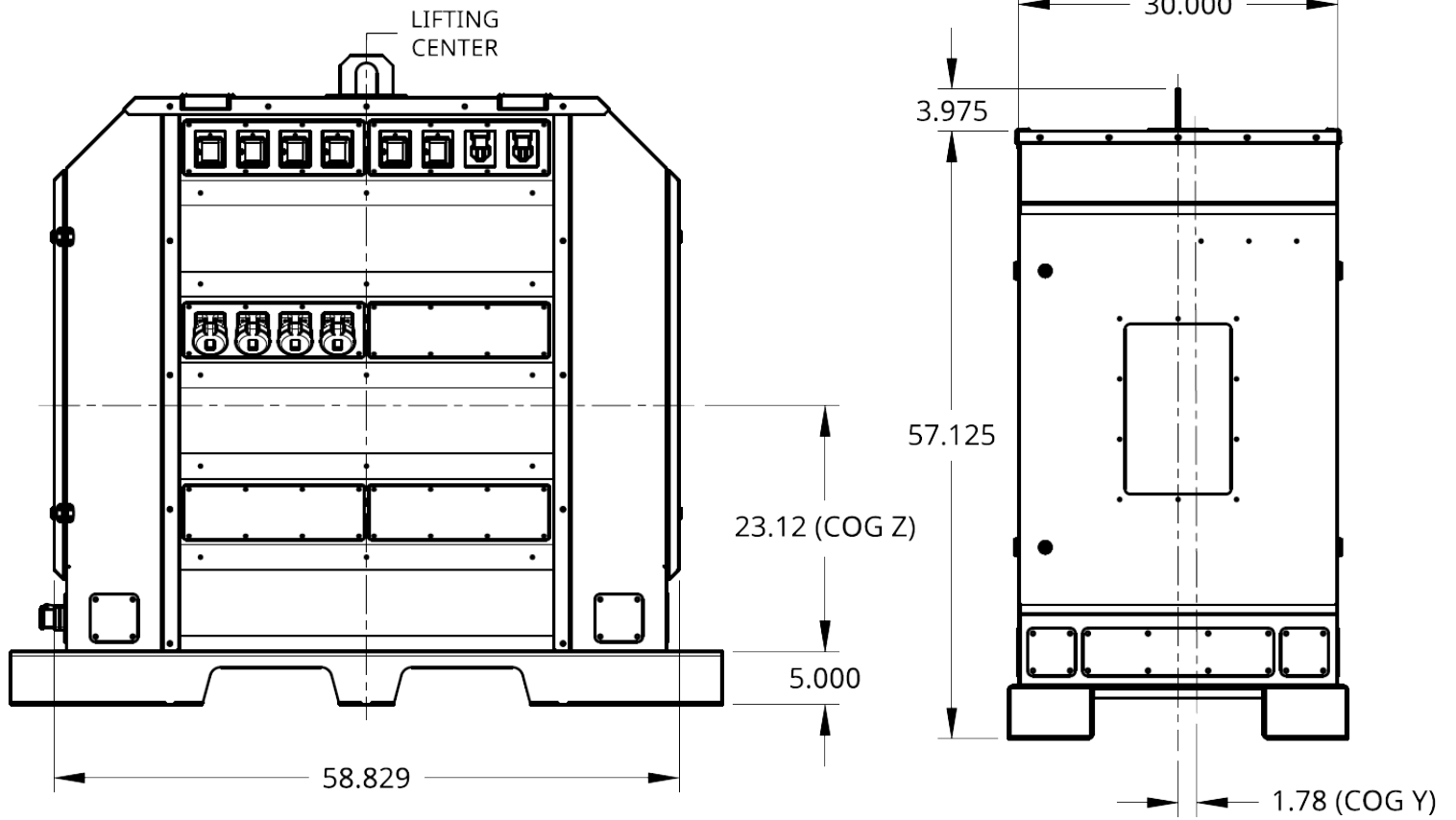
FEATURES

<ul style="list-style-type: none"> • Prototype & Production Tested Design • Wide range of options and accessories available 	<p>Transformer</p> <ul style="list-style-type: none"> • 3 Phase Isolation Transformer, Aluminum, Self cooled (ANN/AN) • Canada - (NRCAN 2019) SOR/2018-201, Amd. 14 & ON Reg. 404/12, U.S. - (DOE 2016) DOE 10 CFR Part 431
<ul style="list-style-type: none"> • Simple access for maintenance and operations • Weatherproof enclosure with NEMA 3R compliance • Safety guards for all electrical connections • Tooled latches standard 	<ul style="list-style-type: none"> • Sound Level meets NEMA ST-20 • CSA Certified - File # LR34493 (5kV Max, 900kVA Max) • UL Listed - File # E108255 (600V Max, 750kVA Max)
<ul style="list-style-type: none"> • All parts powder coated or galvanized or aluminum • Single point lifting bail system, engineered and rated 	<ul style="list-style-type: none"> • 150°C Temperature Rise • 220°C Insulation Rating
<ul style="list-style-type: none"> • All components used are listed, UL489-rated transformer protection built into the assembly - connect to most common power systems safe and quick. • Power distribution system is customizable with Eco Power Equipment gland system. 	<ul style="list-style-type: none"> • Switchable voltage design 480/600 primary switch reduces labour and easily allows connection between 480V generators and 600V utilities without having to change your power distribution. • Rugged base frame and enclosure for mobile applications, ready for standard width pallet jack to allow quick placement

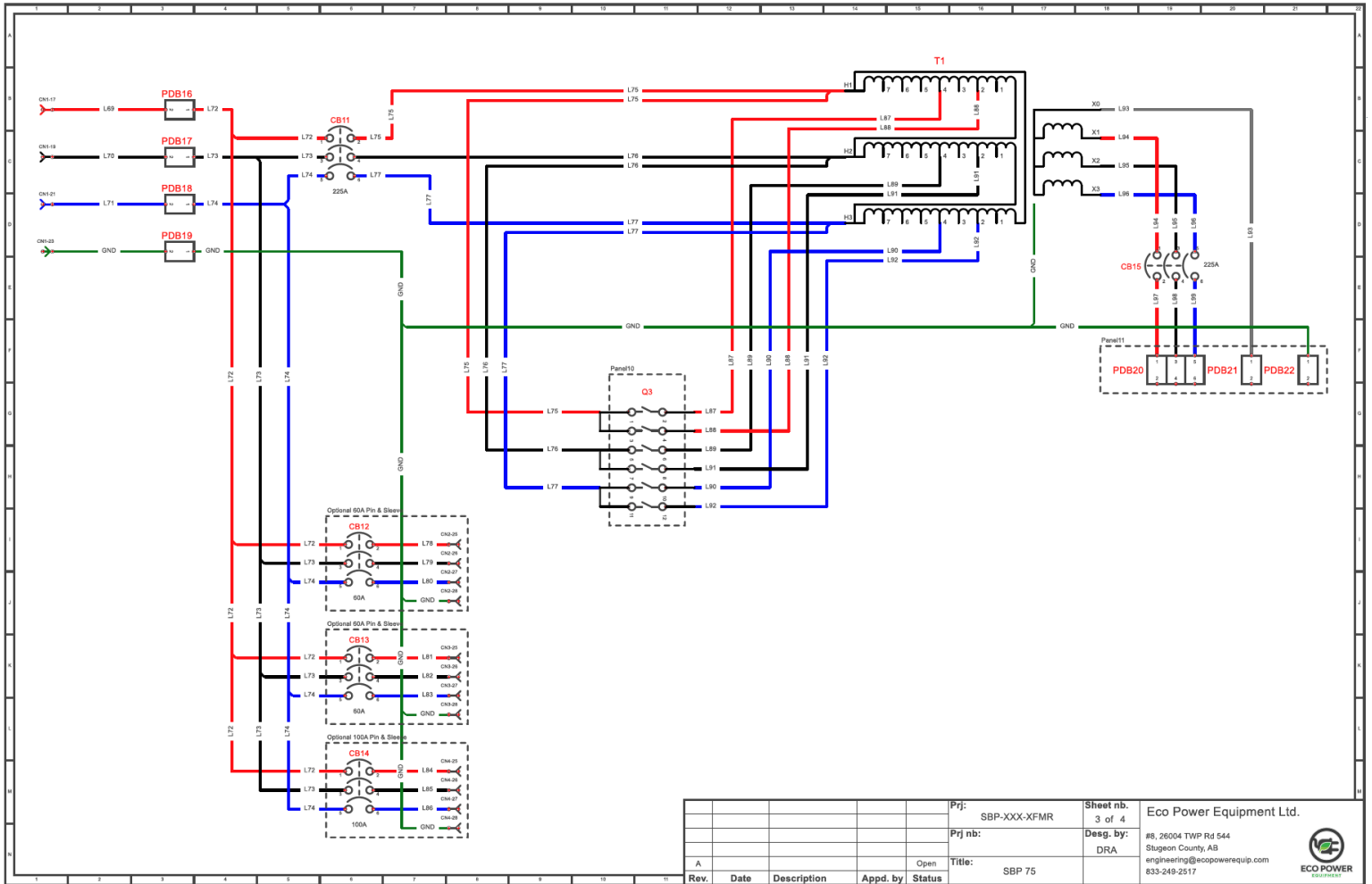
UNIT SPECIFICATIONS

kVa Rating	75
Primary Voltage	600/480 DELTA
Secondary Voltage	120/208 Y
Full Load Primary Amps @ 600V Three Phase	72.2
Full Load Primary Amps @ 480V Three Phase	90.2
Full Load Secondary Amps @ 208V Three Phase	208.2
Impedance	3.5% - 5.5%
Efficiency (35% load, 75 OC)	98.60%
AverageSoundLevel[dB]	50
Primary Taps Available	480V, 570V, 600V, 630V
Enclosure Type	Type 3R Outdoor
Primary Side Distribution Type	400A Cam Lock or Hard Wire
Primary Side Splitter	Yes
Primary Side Distribution Plugs	60 or 100 Amp Pin and Sleeve (pending configuration)
Secondary Side Power Distribution Type	225 Amp Panelboard, Square D
Secondary Side Circuit Max Capacity	42
Secondary Side Breaker Type	QOB
Secondary Side Circuit Max Capacity	42
Primary Protection	150 Amp MCCB, 0.8 Adjustable, UL 489
Secondary Protection	225 Amp MCCB, 0.8 Adjustable, UL 489
Eco Power Gland Capacity	6
Length [INCHES]	32
Width [INCHES]	67
Height [INCHES]	64
Weight [LBS]	1495 lbs
Compliance / Approvals	SPE-1000, UL1640 Compliant Design, CSA standards 22.2 No. 5, UL 489, IEC/EN 60947-2, CE Compliant

DIMENSIONS



BASE WIRING DIAGRAM



©2023 Eco Power Equipment Ltd. All rights reserved. All specifications are subject to change without notice