

## Model

**SBP-15-XFMR**



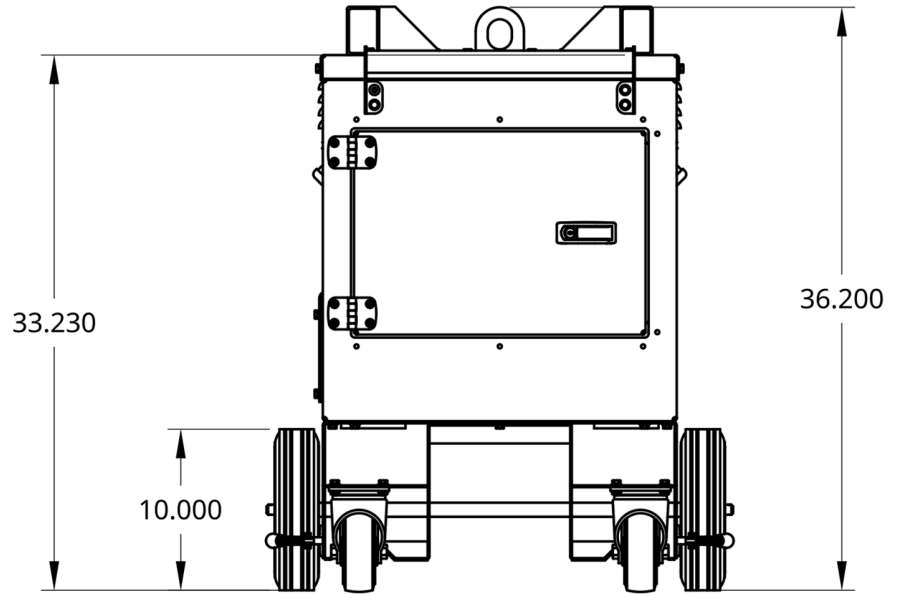
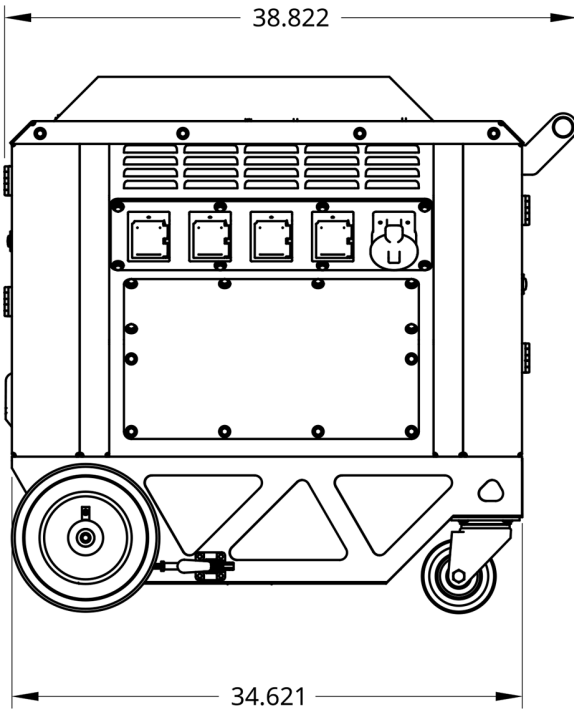
## FEATURES

<ul style="list-style-type: none"> <li>• Prototype &amp; Production Tested Design</li> <li>• Wide range of options and accessories available</li> </ul>	<p><b>Transformer</b></p> <ul style="list-style-type: none"> <li>• 3 Phase Isolation Transformer, Aluminum, Self cooled (ANN/AN)</li> <li>• Canada - (NRCAN 2019) SOR/2018-201, Amd. 14 &amp; ON Reg. 404/12, U.S. - (DOE 2016) DOE 10 CFR Part 431</li> </ul>
<ul style="list-style-type: none"> <li>• Simple access for maintenance and operations</li> <li>• Weatherproof enclosure with NEMA 3R compliance</li> <li>• Safety guards for all electrical connections</li> <li>• Tooled latches standard</li> </ul>	<ul style="list-style-type: none"> <li>• Sound Level meets NEMA ST-20</li> <li>• CSA Certified - File # LR34493 (5kV Max, 900kVA Max)</li> <li>• UL Listed - File # E108255 (600V Max, 750kVA Max)</li> </ul>
<ul style="list-style-type: none"> <li>• All parts powder coated or galvanized or aluminum</li> <li>• Single point lifting bail system, engineered and rated</li> </ul>	<ul style="list-style-type: none"> <li>• 150°C Temperature Rise</li> <li>• 220°C Insulation Rating</li> </ul>
<ul style="list-style-type: none"> <li>• All components used are listed, UL489-rated transformer protection built into the assembly - connect to most common power systems safe and quick.</li> <li>• Power distribution system is customizable with Eco Power Equipment gland system.</li> </ul>	<ul style="list-style-type: none"> <li>• Switchable voltage design 480/600 primary switch reduces labour and easily allows connection between 480V generators and 600V utilities without having to change your power distribution - lockable selector switch</li> <li>• Rugged base frame and enclosure for mobile applications, ready for standard width pallet jack to allow quick placement</li> </ul>

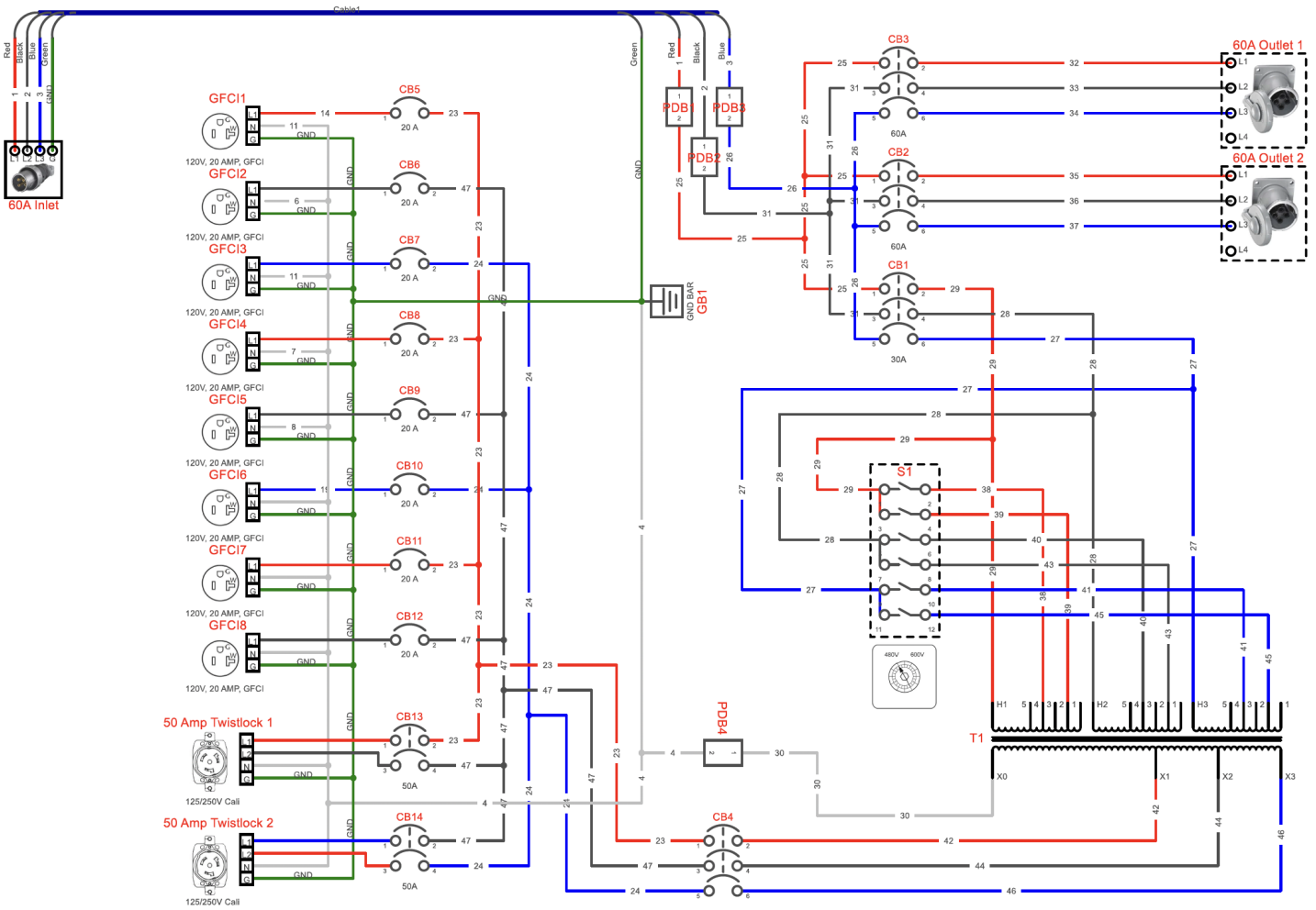
## UNIT SPECIFICATIONS

kVa Rating	15
Primary Voltage	600/480 DELTA
Secondary Voltage	120/208 Y
Full Load Primary Amps @ 600V Three Phase	14.4
Full Load Primary Amps @ 480V Three Phase	18.0
Full Load Secondary Amps @ 208V Three Phase	41.6
Efficiency (35% load, 75 OC)	97.89%
Impedance	3.5% - 5.5%
AverageSoundLevel[dB]	45
Primary Taps Available	480V, 570V, 600V, 630V
Enclosure Type	Type 3R Outdoor
Power Inlet	6' 8/4 SOOW Cable w/ HBL460PS2W Cord End
Primary Side Splitter	2 x 60 Amp Pin and Sleeve (HBL460RS2W) Pin and Sleeve Receptacle with MCCB Protection
Secondary Side Distribution Plugs	10 x 120 Volt 20 Amp GFCI Receptacle, NEMA 5-20, Weather Proof Covers 2 x 50 Amp Twist Lock California Type 120/240V, Weather Proof Covers, CS6369
Secondary Side Panelboard Type	UL489 Miniature MCCB
Secondary Side Circuit Max Capacity	12
Secondary Side Breaker Type	Miniature MCCB
Secondary Side Circuit Max Capacity	12
Primary Protection	30 Amp, Miniature MCCB, UL489
Secondary Protection	50 Amp, Miniature MCCB
Eco Power Gland Capacity	2
Length [INCHES]	38
Width [INCHES]	28
Height [INCHES]	34
Weight [LBS]	440 lbs
Compliance / Approvals	SPE-1000, UL1640 Compliant Design, CSA standards 22.2 No. 5, UL 489, IEC/EN 60947-2, CE Compliant

# DIMENSIONS



# BASE WIRING DIAGRAM



©2023 Eco Power Equipment Ltd. All rights reserved. All specifications are subject to change without notice. See model specific as built drawing by scanning QR code on unit.