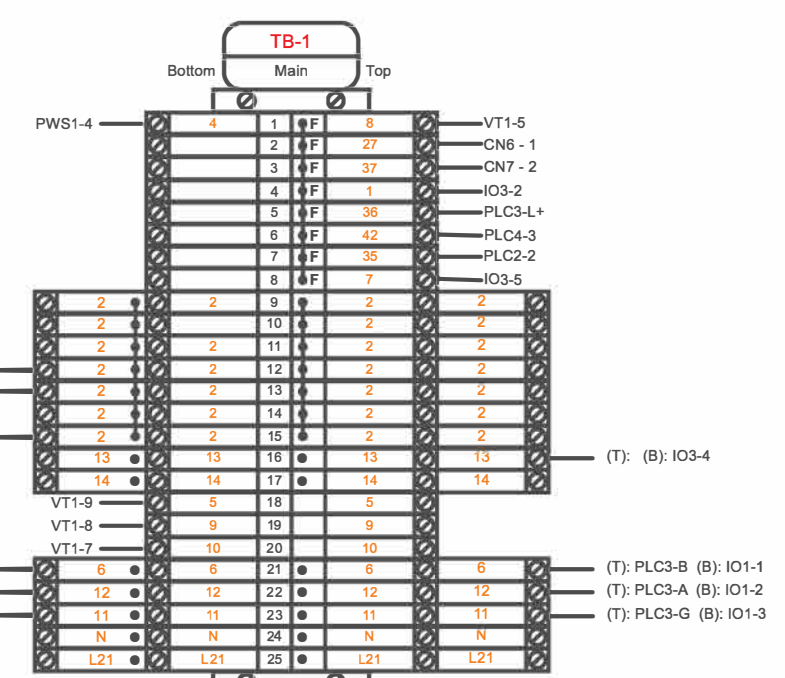
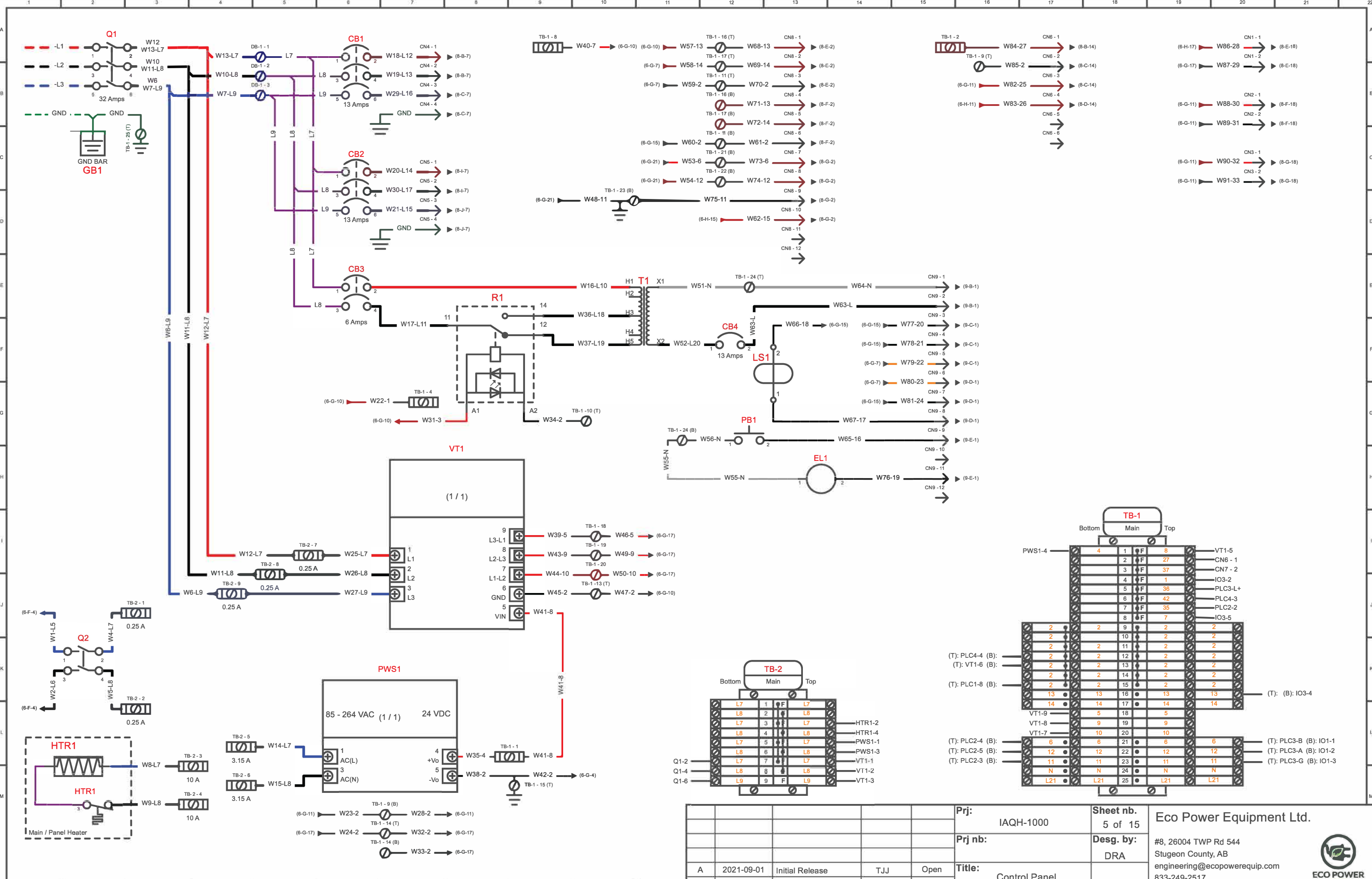
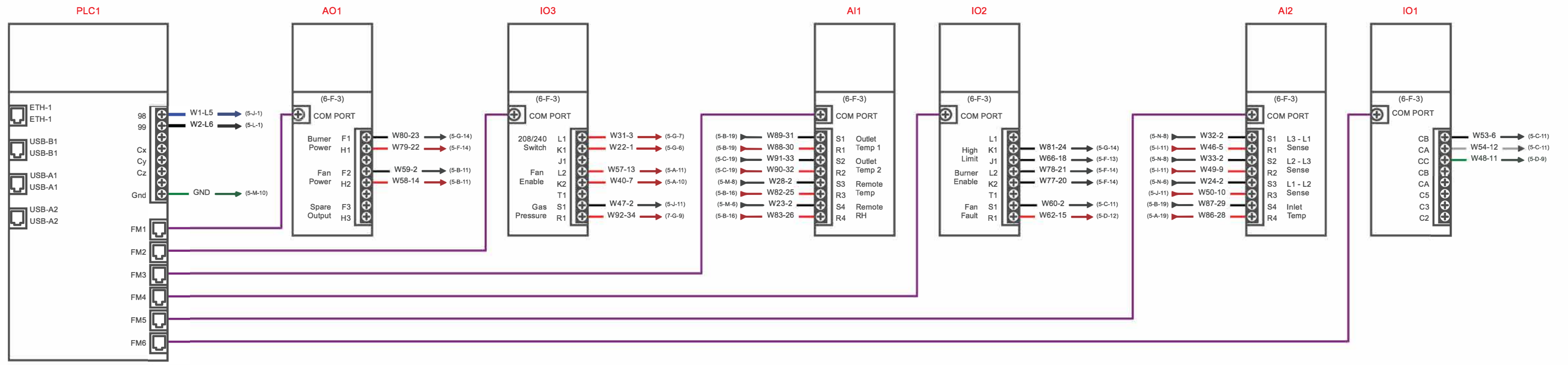


					Prj:	IAQH-1000	Sheet nb.	4 of 15	Eco Power Equipment Ltd. #8, 26004 TWP Rd 544 Sturgeon County, AB engineering@ecopowerequip.com 833-249-2517
					Prj nb:		Desg. by:	DRA	
					Title:	Panel Layout			
A	2021-09-01	Initial Release	TJJ	Open					
Rev.	Date	Description	Appd. by	Status					



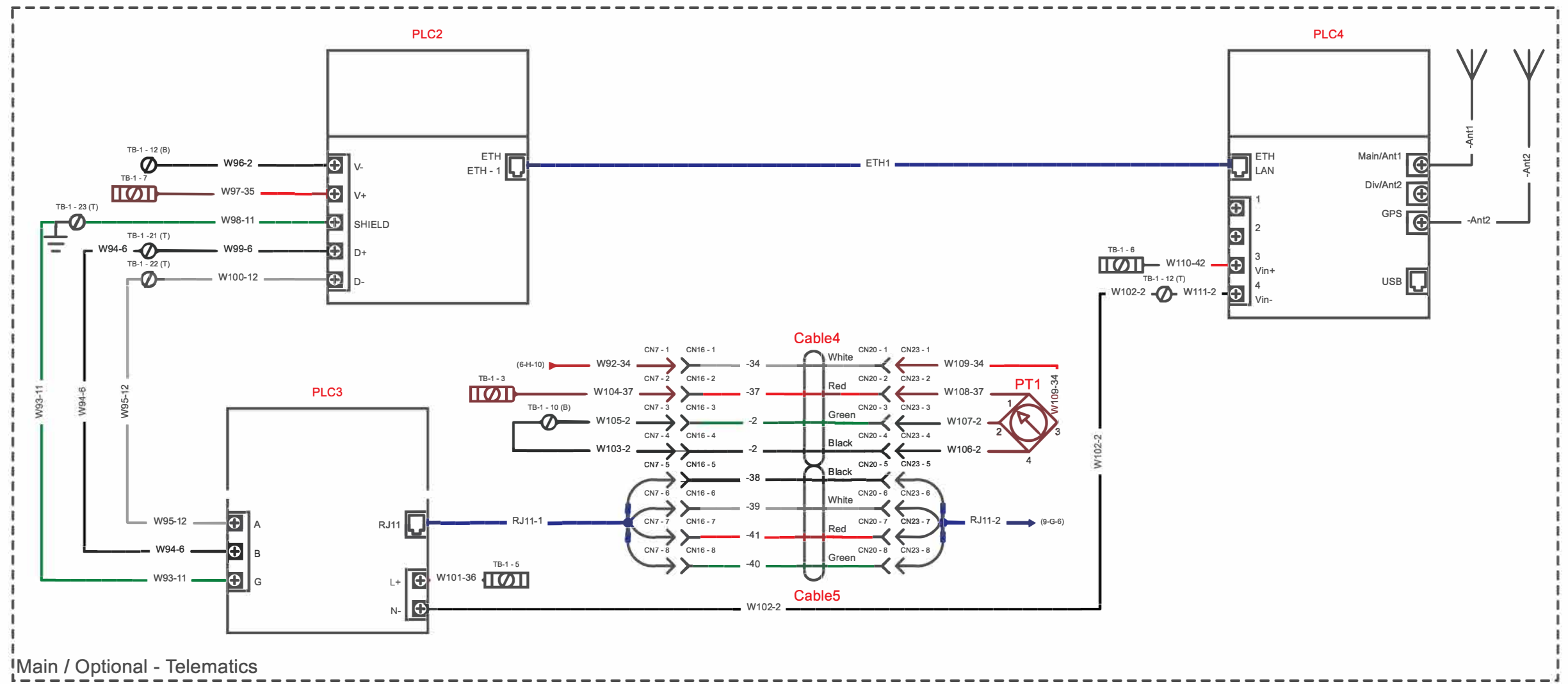


Prj:	IAQH-1000	Sheet no.	5 of 15	Eco Power Equipment Ltd. #8, 26004 TWP Rd 544 Sturgeon County, AB engineering@ecopowerequip.com 833-249-2517
Prj nb:		Desg. by:	DRA	
Title:	Control Panel			
Rev.	Date	Description	Appd. by	Status
A	2021-09-01	Initial Release	TJJ	Open



Prj:	IAQH-1000	Sheet nb:	6 of 15	Eco Power Equipment Ltd. #8, 26004 TWP Rd 544 Sturgeon County, AB engineering@ecopowerequip.com 833-249-2517
Prj nb:		Desg. by:	DRA	
Title:	Controller			
Rev.	Date	Description	Appd. by	Status
A			TJJ	Open

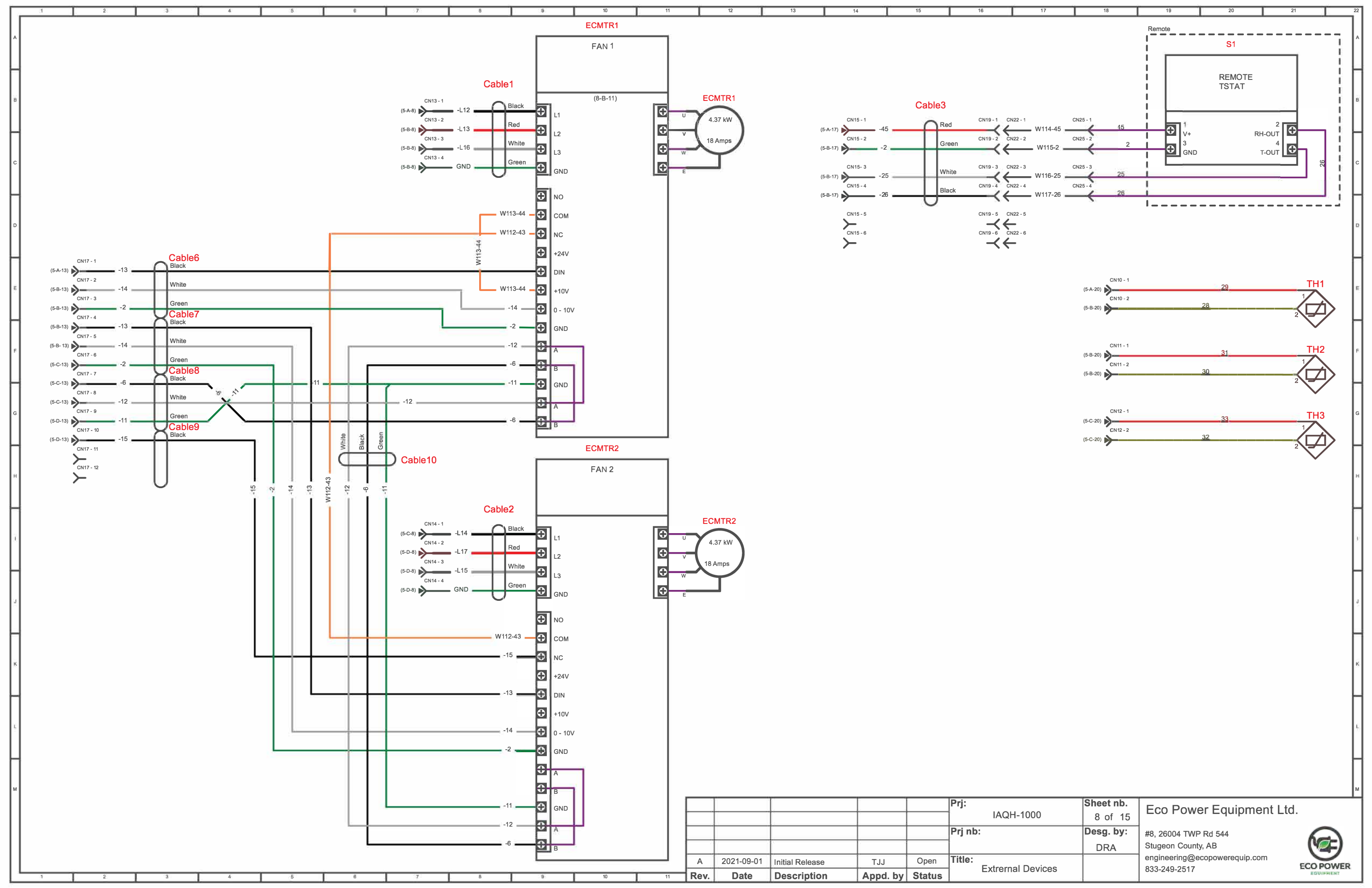




Main / Optional - Telematics

					Prj:	IAQH-1000	Sheet nb:	7 of 15	Eco Power Equipment Ltd. #8, 26004 TWP Rd 544 Sturgeon County, AB engineering@ecopowerequip.com 833-249-2517
					Prj nb:		Desg. by:	DRA	
					Title:	Optional Telematics			
A	2021-09-01	Initial Release	TJJ	Open	Rev.	Date	Description	Appd. by	Status






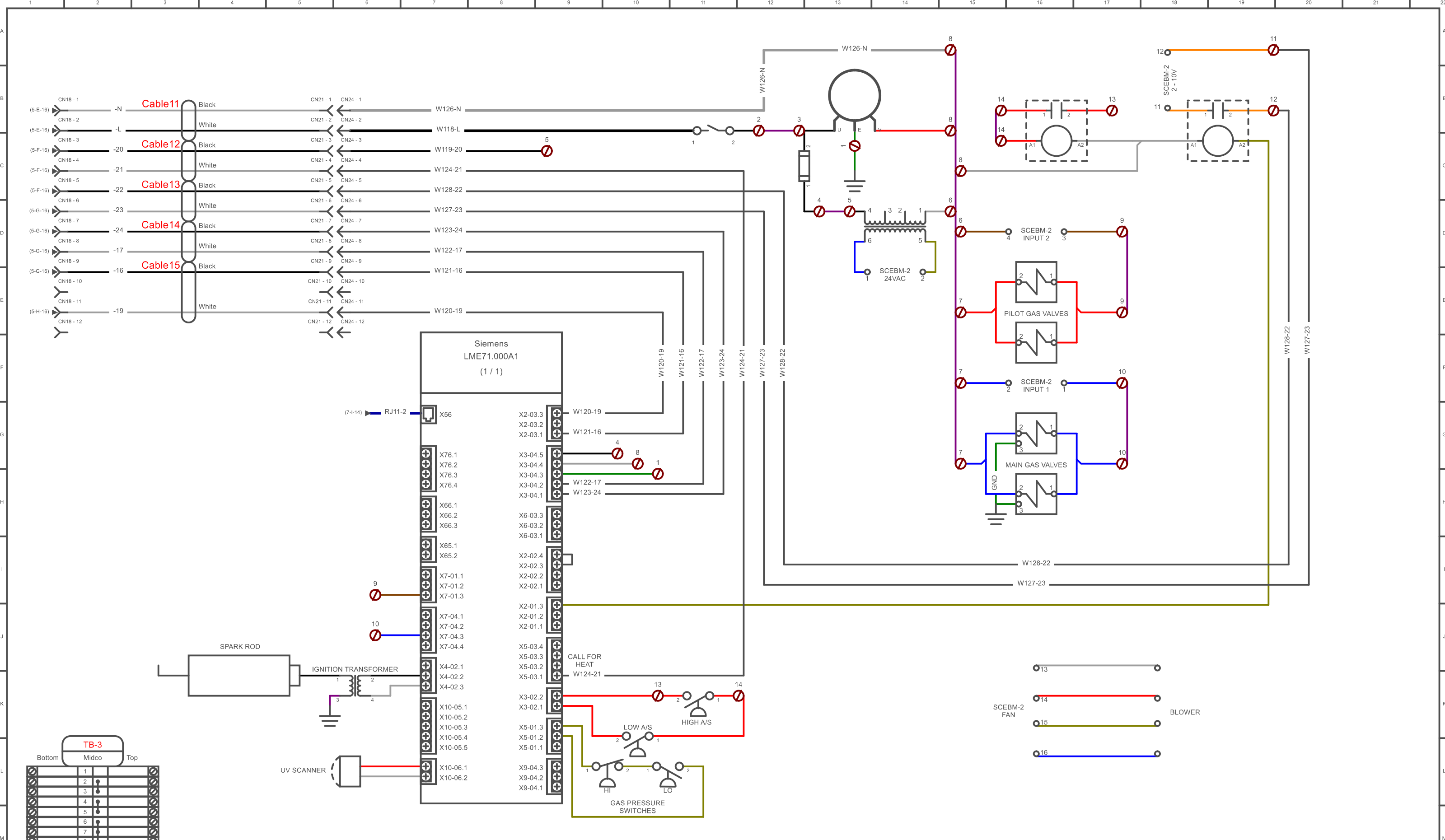
Rev.	Date	Description	Appd. by	Status
A	2021-09-01	Initial Release	TJJ	Open

Prj:	IAQH-1000
Prj nb:	
Title:	Extrenal Devices

Sheet nb.	8 of 15
Desg. by:	DRA

Eco Power Equipment Ltd.
 #8, 26004 TWP Rd 544
 Sturgeon County, AB
 engineering@ecopowerequip.com
 833-249-2517





TB-3

Bottom	1	2	3	4	5	6	7	8	9	10	11	12	13	14	Top

Prj:	IAQH-1000	Sheet nb.	9 of 15	Eco Power Equipment Ltd.	
Prj nb:		Desg. by:	DRA	#8, 26004 TWP Rd 544 Sturgeon County, AB engineering@ecopowerequip.com 833-249-2517	
Title:	Midco				
Rev.	Date	Description	Appd. by	Status	
A	2021-09-01	Initial Release	TJJ	Open	

